

# Meca-inox

## BALL VALVES

HIGH QUALITY BALL VALVES  
BORN IN FRANCE, WORLDWIDE AVAILABLE



Since 1967, MECA-INOX has manufactured ball valves and is a European leading signature for high quality ball valves dedicated to Chemistry, Pharma & Cosmetic, Cryogenic fluids, Food & Beverage and Industry with more than 3 million valves installed all over the world and 150 000 ball valves yearly production.

Expert in stainless steel and carbon steel ball valves technology, we have developed over the years a complete products offer internationally recognized for its reliability, performance, and flexibility of use. Combining high quality materials and our specific knowhow of design and manufacturing, our products meet the most stringent requirements.

From our industrial sites of Gisors (France) and Dalian (China), our teams can support you anywhere in the world. Our network of distributors provide an optimal availability of our valves and equipment for your international projects.



# ISO CONTAINER

## BALL VALVES SOLUTION



[meca-inox.com.cn](http://meca-inox.com.cn)

EN-21

### MECA-INOX CHINA

18# Building, Jingang Industrial Park, Dalian E & T  
Development Zone 116600, CHINA

T: (86) 0411-87549209  
E-mail: [info@meca-inox.com.cn](mailto:info@meca-inox.com.cn)

[meca-inox.com.cn](http://meca-inox.com.cn)

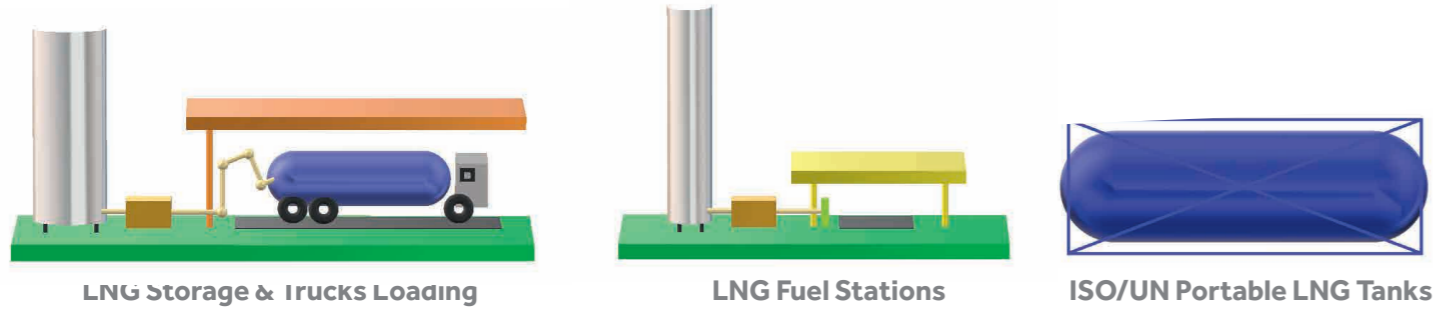


A BRAND OF GROUP  
**Meca-inox**  
SINCE 1955

**Meca-inox**  
SINCE 1955



With more than **20** years experience in design and production of cryogenic ball valves. **MECA-INOX** specializes in supplying high quality **Emergency Shut-off Valves** and **Divertor Valves** for LNG ISO cONTAINER(20FT/40FT/45FT).



**OUR AWARDS**

On 9 December 2014, Meca-Inox was awarded the first Technology Award at the first ceremony of Air Liquide Supplier Award Europe, for its system "Fire -Block " automatic mechanical actuator valve closure in case of fire .



**MECA-INOX** ball valves are market-oriented products. we create innovative products and bring value to our customers.

**OUR MAIN CERTIFICATIONS**



-ISO9001



-PED

-TSG Certificate for ESV(Class A)

**STANDARD AND TYPE TEST**

Applicable standard:

- ✓ GB/T 24918
- ✓ EN-12567
- ✓ EN 12516

Type test

Achieve special equipment type test certificate Emergency shut-off valve is:

- Nominal Pressure ≤ PN4.0Mpa
- Nominal Dimension ≤ DN80mm
- Temperature: -196℃ -50℃



Type test

**OUR PATENT**

MECA-INOX has obtained a number of patent certificates. In the future , we will continue to invest in technology innovation funds, further consolidate the company's technological advantages and market position.



**CUSTOMER REFERENCES**

Air Liquide, BOC, Chart Group, Changlong, CIMC ENRIC, Cryolor, Cryostar, Cryovat, Engie, Eurotank,

## 2 INDUSTRIAL SITES : 7,000 m<sup>2</sup>

With more than 5,000 m<sup>2</sup> of Production and Assembly and 2,000 m<sup>2</sup> of Offices and Testing areas, our two industrial sites operate in synergy around 3 common pillars :  
**RESEARCH & DEVELOPMENT, PRODUCTION and QUALITY SYSTEM.**



**GISORS FRANCE DALIAN CHINA**

## FOCUSED ON OUR CUSTOMERS SUCCESS

MECA-INOX has teams of engineers that deal with your projects from the enquiry to the delivery and deliver quality according to the user and project requirements.



## A COMPLETE MANAGEMENT OF ALL PRODUCTION STAGES



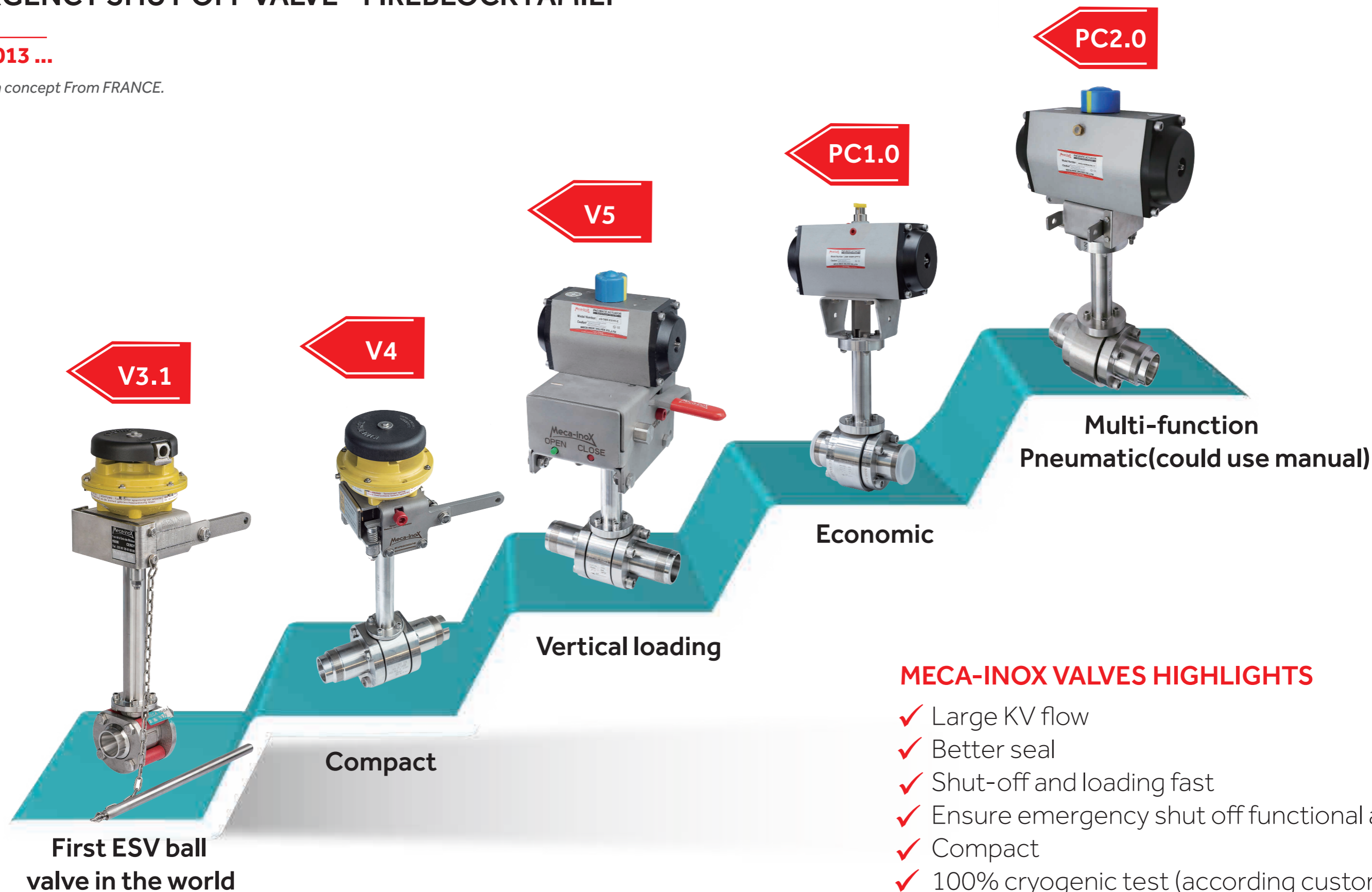
## QUALITY IS THE HEART OF OUR BUSINESS



## EMERGENCY SHUT OFF VALVE - FIREBLOCK FAMILY

**Since 2013 ...**

*New design concept From FRANCE.*



### MECA-INOX VALVES HIGHLIGHTS

- ✓ Large KV flow
- ✓ Better seal
- ✓ Shut-off and loading fast
- ✓ Ensure emergency shut off functional all time
- ✓ Compact
- ✓ 100% cryogenic test (according customer condition) before delivery

**Customizable**

● **V3.1/ V4**

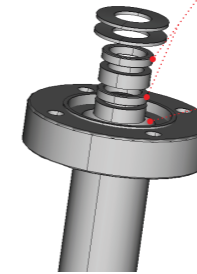
- Manual operation
- Remote implementation of emergency shut-off function



**Different kind of Firelock module**

**Zero Leak Gland Packing**

- ✓ Double Gland Packing
- ✓  $<10^{-5}$  mbar/l.s<sup>-1</sup> He cryogenic tightness



**Low Friction Thrust Seal**

- ✓ PTFE – 20% PEEK
- ✓ Low & Constant Torque

● **V5**

- Manual operation
- Only need a small operating space to operate the valve.
- Vertical loading on.
- The valve open or close is clear at a glance through the switch indicator.



● **PC1.0**

- Pneumatic operation
- The operation is simple
- Reliable performance



**100% Machined Cryogenic Extension**

- ✓ 316L
- ✓ Extended stem & extension body
- ✓ Zero welding robust design

● **PC2.0**

- Pneumatic (could use manual)
- Valve opening and closing can be determined by blue indicator(pneumatic function open)
- Air pressure can be specified according to customer conditions
- Two Thermal fuse control manual and pneumatic fuses



**Ball up stream relief Hole**

**High Performance Ball Seats**

- ✓ TF3215 PTFE + Carbon
- ✓ Specific Design
- ✓  $<10^{-3}$  mbar/l.s<sup>-1</sup> He cryogenic Tightness

Thermal fuse (pneumatic)



Thermal fuse (manual)

**Connection Optional**

- ✓ BW/SW,etc

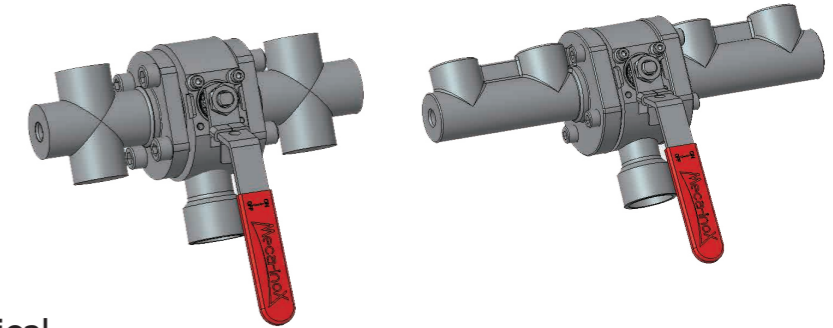
## Fireblock application



Valve data sheet	
Size	DN20-DN50/DV25-DV50
Pressure Class	PN40
Temperatures	-196°C to +100°C
Materials	Body/Ball/Ends: 316L, etc.
Valve closing time	≤5s
Application media	Ethylene, Ethane, Methane, LNG, LCO <sub>2</sub> , LO <sub>2</sub> , LN <sub>2</sub> , IAr, etc

## Diverter Family

- Size: DN15-DN50
- Safety Valve Qty: 4pcs, 2pcs



- Diverting flow: 3VTH or 3VLH
- Operation : Horizontal or vertical
- Body: casting or machined
- Connection: BW or SW, etc.
- Safety valve: according customer requirement

## Our Partner\_ H+ Safety Valve



- ✓ Performance: ADR according ISO4126 0.5
- ✓ Test of tightness according API527: at 90%: no leakage
- ✓ Body: one piece
- ✓ All pieces in stainless steel
- ✓ Series Temperature: -196 °C - +180 °C
- ✓ Setting from: 3 bar to 40 bar
- ✓ Size: 1/2", 3/4", 1"



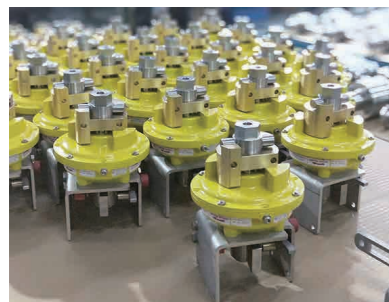
Cryogenic test in MECA-INOX



FB V4 using in LNG Tank



FB V5 using in LNG Tank



Kinetro + Bronze head support (special design for customer)



FB V5 using in LNG Tank

## Availability & maintenance

- ✓ All ends machined in our workshops
- ✓ Professional technical support
  - calculation notes
  - product selection
  - specific certifications
  - ...
- ✓ Permanent stock of spare parts
- ✓ Spare parts delivery **within 48 hours**
- ✓ Customer Service team track your orders and to guarantee your satisfaction

### After-sales service



- ✓ Installation training
- ✓ Maintenance training



- ✓ Operational analysis



- ✓ Servicing supervision

**More Than 5 000 ESV Valves for ISO Container Since 2018**